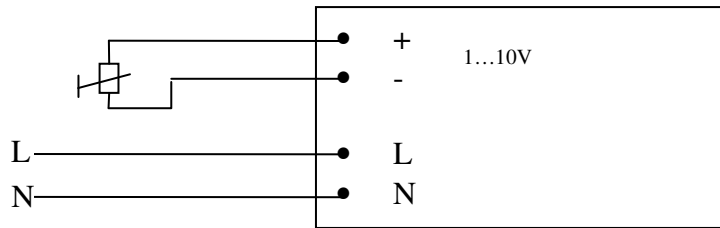


Wiring scheme for D-CO LED

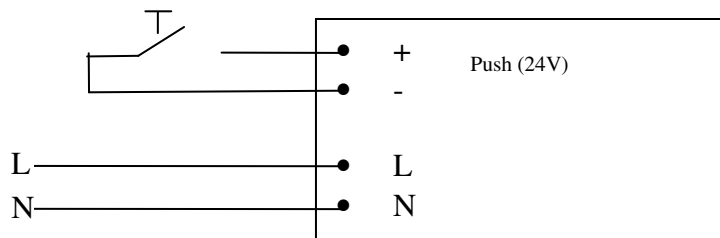
INPUT for 350mA Dimmable
(Downlights and Spots)

96107648
LED CONVERTER 6W 350mA 230V DIMM
6W driver for all downlights and spots, dimmable

1 to 10 Volt Dimming

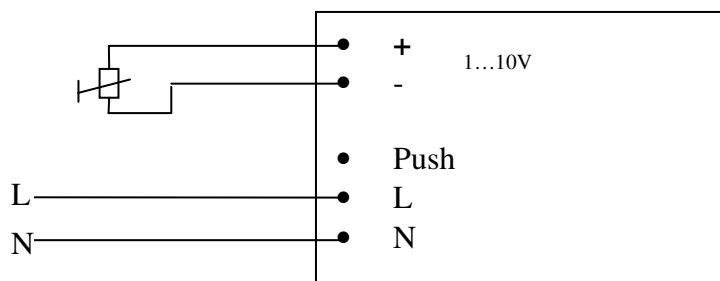


Push Dimming



96107649
LED CONVERTER 25W UNI 110-240V DIM
25W driver for all downlights and spots, dimmable

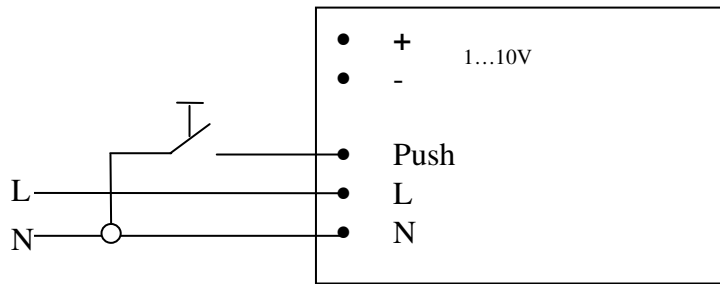
1 to 10 Volt Dimming



Wiring scheme for D-CO LED

THORN

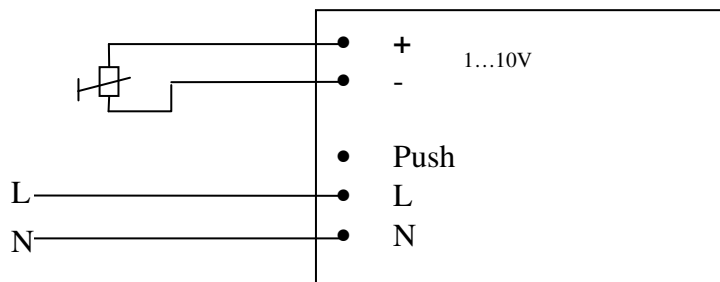
Push Dimming



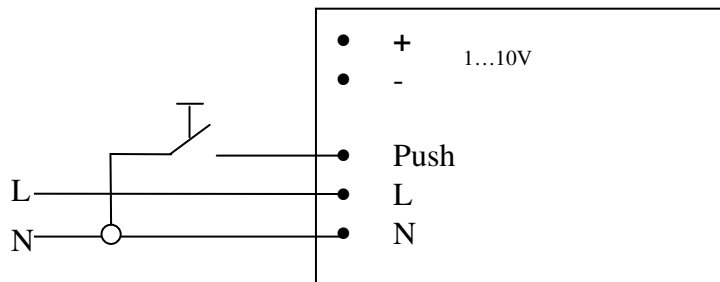
INPUT for 700mA Dimmable (3X3W Downlight and 1X3W Spots)

96107649
LED CONVERTER 25W UNI 110-240V DIM
25W driver for all downlights and spots, dimmable

1 to 10 Volt Dimming



Push Dimming



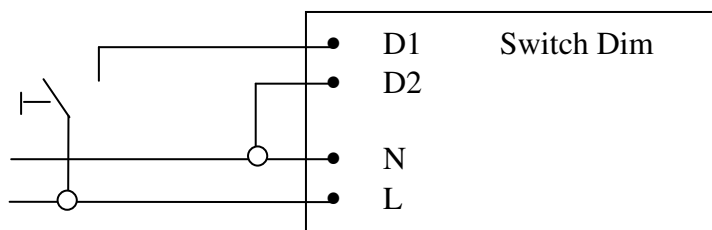
Wiring scheme for D-CO LED

THORN

INPUT for 24V
(Asymmetric Wall Recessed)

86455937
LED 0025 K210 24V One4all
25W driver for wall asymmetric, dimmable

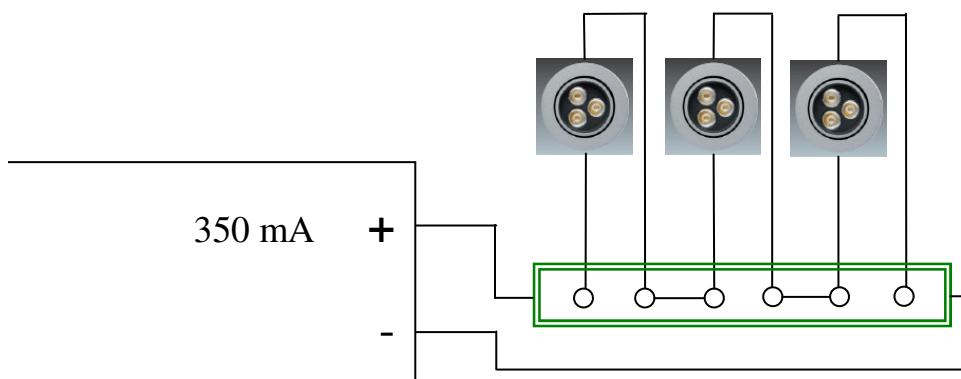
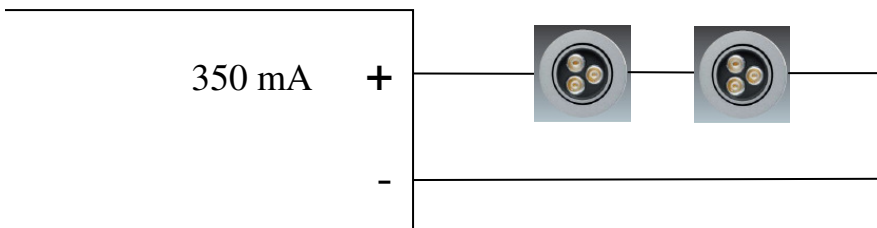
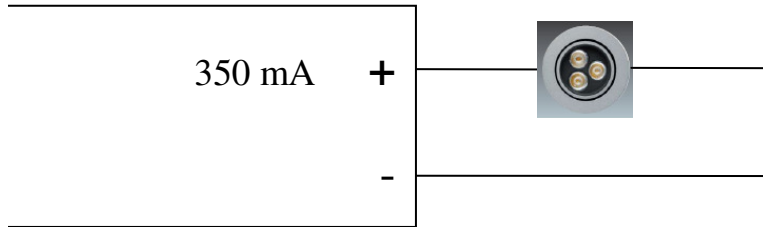
Switch Dimming



Wiring scheme for D-CO LED

THORN

OUTPUT for 350 mA
(all Downlights and Spot)

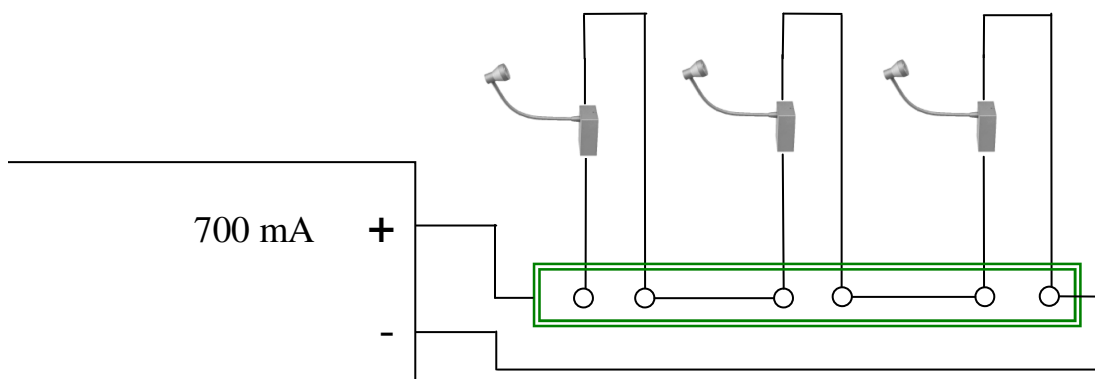
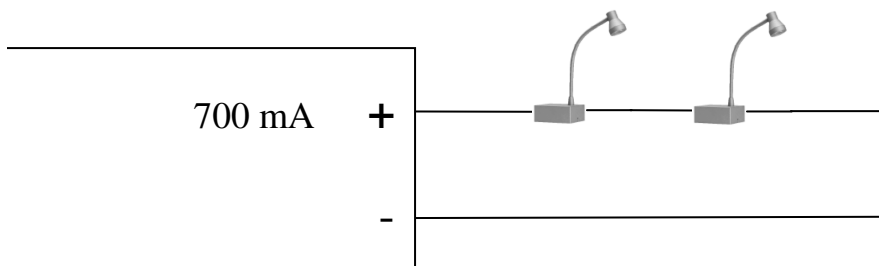
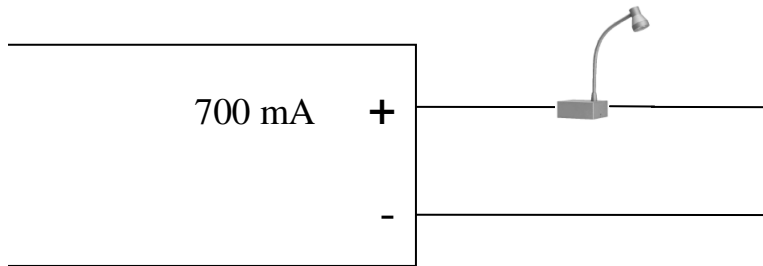


**LED MULTIPLUG
THORN STANDARD ITEM.
3 OR 6 WAY CONNECTOR BOX
SAP CODE 96107650 AND 96107651**

Wiring scheme for D-CO LED

THORN

OUTPUT for 700 mA
(all 3X3W Downlight and 1X3W Spots)

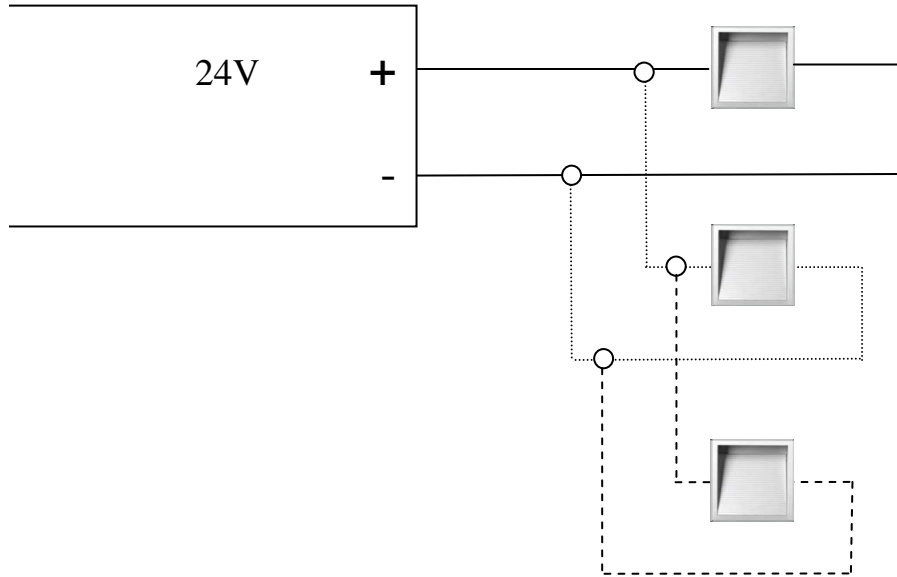


**LED MULTIPLUG
THORN STANDARD ITEM
3 OR 6 WAY CONNECTOR BOX
SAP CODE 96107980 AND 96108000**

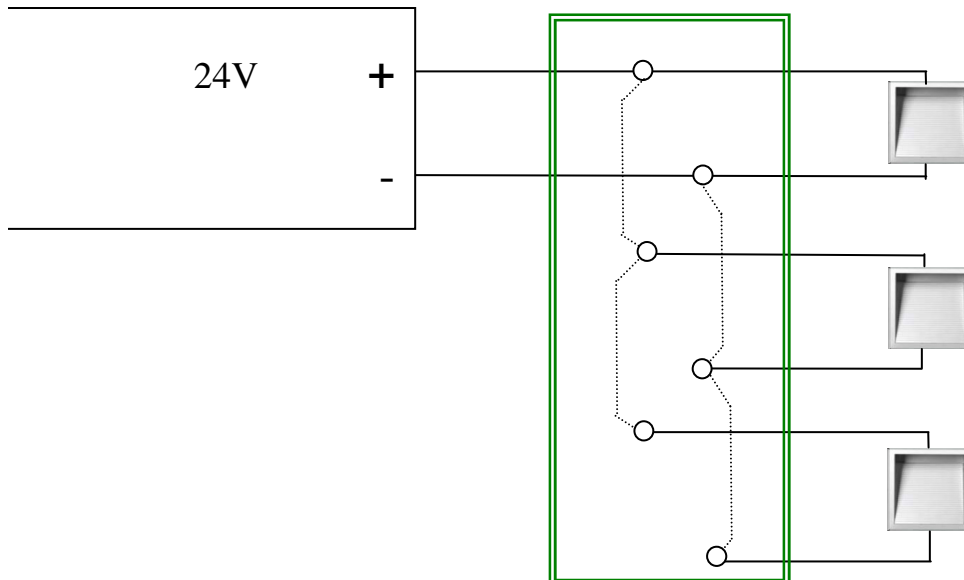
Wiring scheme for D-CO LED

THORN

OUTPUT for 24V
(Asymmetric Wall Recessed)



ON SITE INSTALLATION BOX
STANDARD WHOLESALE ITEM



Maximum cable lengths on the secondary side (24V)

SAP CODE	ITEM DESCRIPTION	MAX METERS
96107644	LED CONVERTER 8W DC24V	15
96107645	LED CONVERTER 25W DC24V	15
86455937	LED 0025 K210 24V One4all	15

Maximum cable lengths on the secondary side (230V)

SAP CODE	ITEM DESCRIPTION	MAX METERS
96107646	LED CONVERTER 8W 350mA 100-240V 3PLUG	15
96107647	LED CONVERTER 12W 350mA 100-240V 6PLUG	15
96107648	LED CONVERTER 6W 350mA 230V DIMM	15
96108001	LED CONVERTER 3W 700mA 100-240V 3PLUG	15
96108002	LED CONVERTER 12W 700mA 100-240V 6PLUG	15
96108003	LED CONVERTER 18W 700mA 100-240V 6PLUG	15
96107649	LED CONVERTER 25W UNI 110-240V DIM	15

Please respect single diameters from 0,2 (delivered connection cables) to 1,5mm² (standard installer equipment) for flexible wires.